



BRASS BALL VALVE

Full Bore

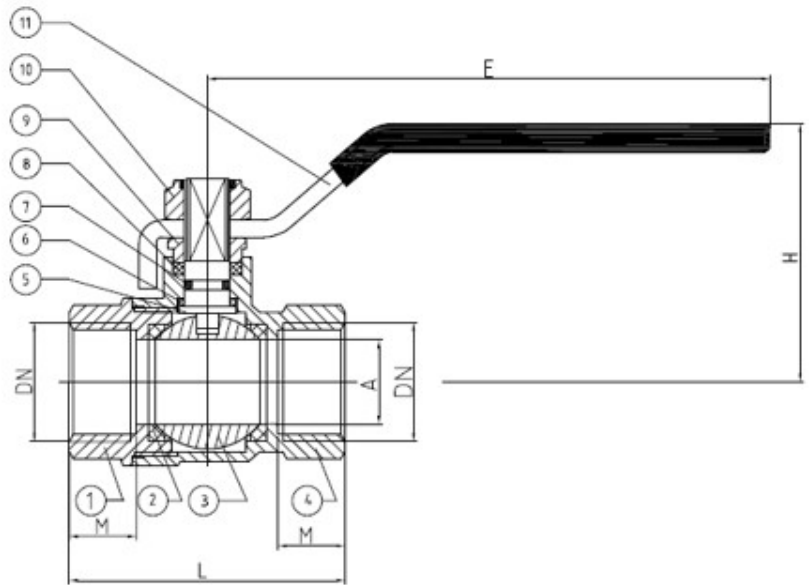
Thread FF ISO228/1

Temperature: min -20°C
max +95°C

Opening and closing tests: 20.000

Nominal pressure: Max 25bar

Available: in all sizes from 1/4" up to 4"



NO	Component	Material
1	Valve nut	Brass
2	Seat	P.T.F.E
3	Ball	Brass
4	Body	Brass
5	Stem	Brass
6	Down filling	P.T.F.E
7	O-ring	NBR 70°
8	Up-filling	P.T.F.E
9	Press nut	Brass
10	Nut	Steel
11	Handle	steel



DN	1/4"	3/8"	1/2"	3/4"	1"	1 1/4"	1 1/2"	2"	2 1/2"	3"	4"
A	9	10	14.8	19	24	30.2	37	47	62	74	90
L	40.3	41.3	48.5	54.6	64	76	88	99	132	152.4	179
H	32.7	32.7	44	48	57.3	69	74.5	84.5	115.5	124	135.5
E	85	85	98	98	125	142	142	165	225	225	225
M	8.5	8.5	10.5	11	13.5	15	16.5	16.5	24	26.5	30
PN	25	25	25	25	25	25	25	25	25	25	25