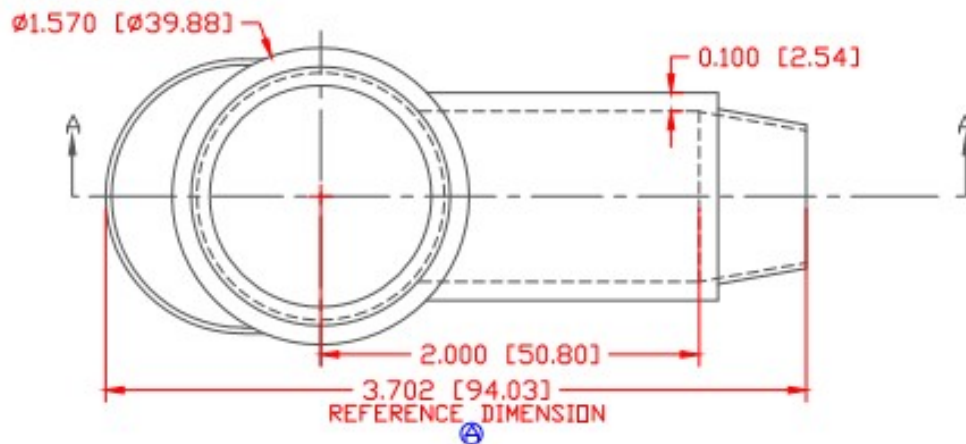


SECTION A-A  
TYP. WALL THICKNESS = .100" [2.5]  
SEAL NO. 4 SHOWN

SEAL THICKNESS = .030" [.8]  
NO. 4  
Cable Gages  
2/0 - 4/0



VTE PART NO:  
MATERIAL:  
VENDOR PART NO:  
SHORE DUROMETER:  
SPECIFIC GRAVITY:  
ULT. ELONGATION %:  
MELTING TEMP:  
BRITTLE TEMP:  
Tensile Strength PSI:  
Dielectric Strength, v./mil  
U.L. Rating:

1101650114  
PVC  
9812-65-BLACK  
"A" 10 SEC. 65  
1.34  
400  
315-335 F [157-168 C]  
-54 F [-48 C]  
1550 PSI  
453  
V2

