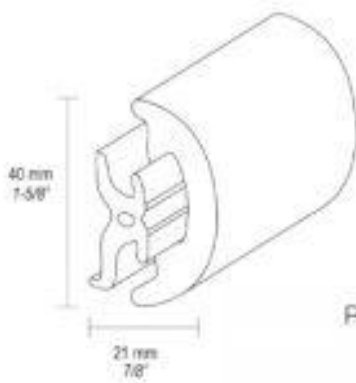
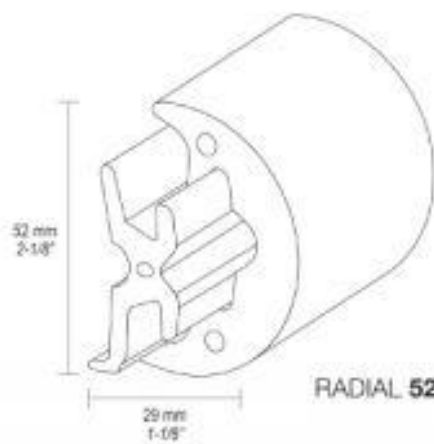


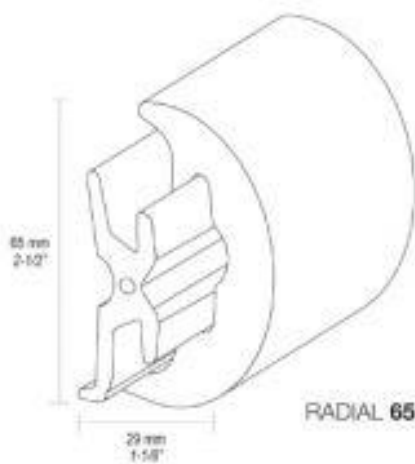
RADIAL 30



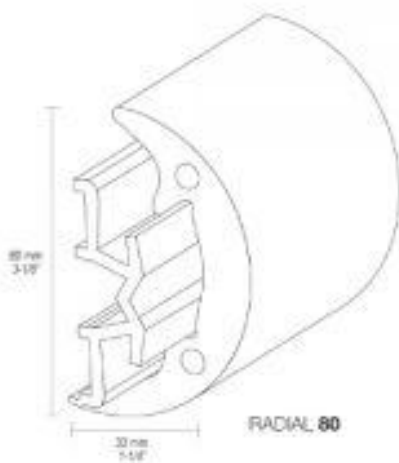
RADIAL 40



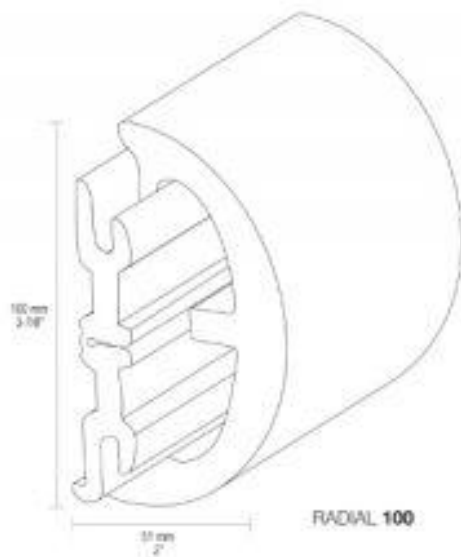
RADIAL 52



RADIAL 65



RADIAL 80



RADIAL 100